

IMAGE



XLT
SmartSolutions™

MODEL

2336 Radiant Grill

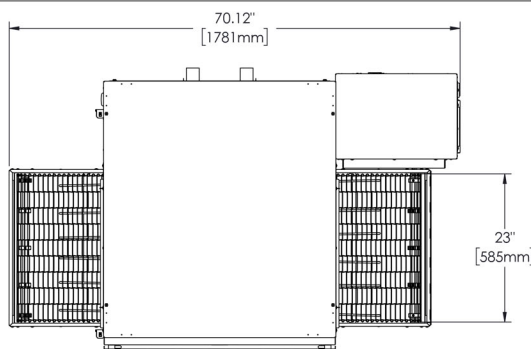
SIZE

23" WIDE CONVEYOR
36" LONG BAKE CHAMBER

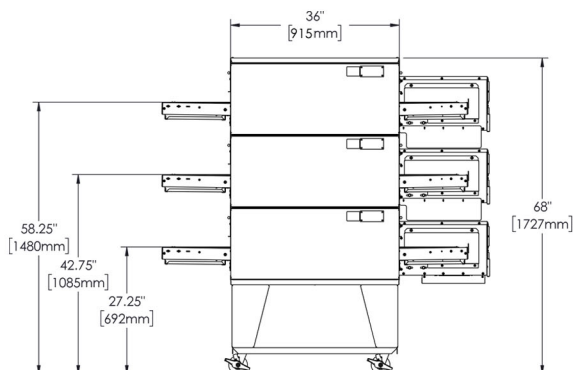
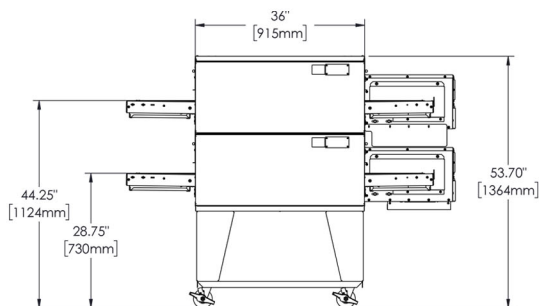
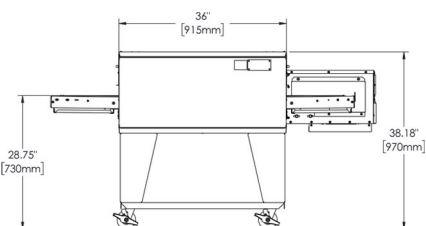
TYPE

ELECTRIC

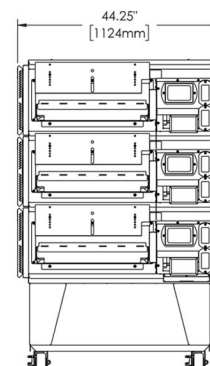
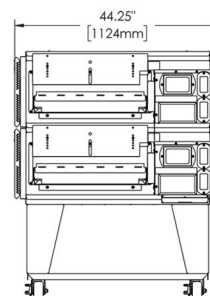
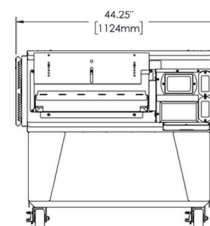
TOP VIEW



FRONT VIEWS



SIDE VIEWS



2336

Radiant Grill

MODEL

XLT

SmartSolutions™

DATA SHEET

2336 RADIANT GRILL

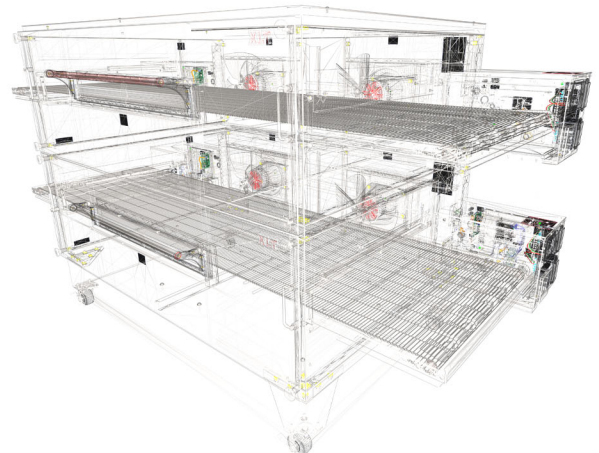
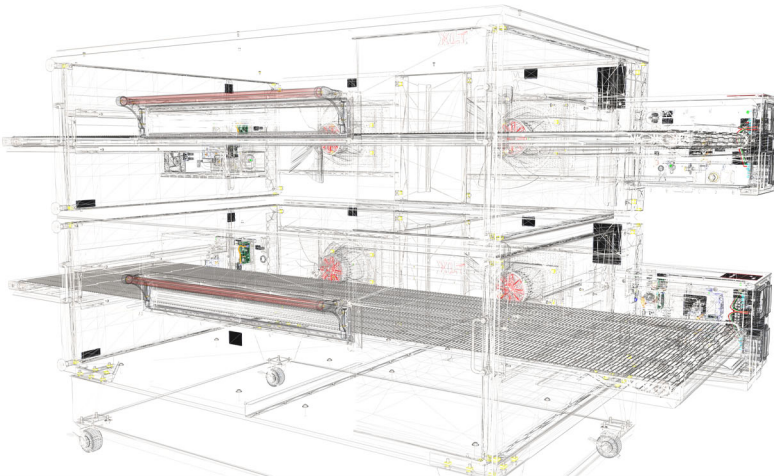
Electrical Requirement

	Standard	World
VAC	208/240 VAC	380 VAC
Amps	31/27 Amps	24 Amps
Hz	60 Hz	50 Hz
Wire Service	4 Wire Service - L1, L2, L3 +1 Ground (per oven)	5 Wire Service - L1, L2, L3 N+2 Grounds (per oven)
Phase	3 Phase	3 Phase
Kw	9.6 Kw	10.5 Kw

Oven Weight	Single (1 crate)		Double (2 crates)		Triple (3 crates)	
	lbs	kg	lbs	kg	lbs	kg
Oven Only	653	297	1183	537	1760	798

GRILL WARRANTY

USA & Canada (Parts & Labor)	International (Parts & Labor)
7 Years Standard	5 Years Standard



(316) 943-2751
 SALES@XLTOVENS.COM
 SERVICE@XLTOVENS.COM

WWW.XLTOVENS.COM
 24/7/365 LIVE TECHNICAL SUPPORT

