

IMAGE



XLT
SmartSolutions™

MODEL

3270-2B H-version

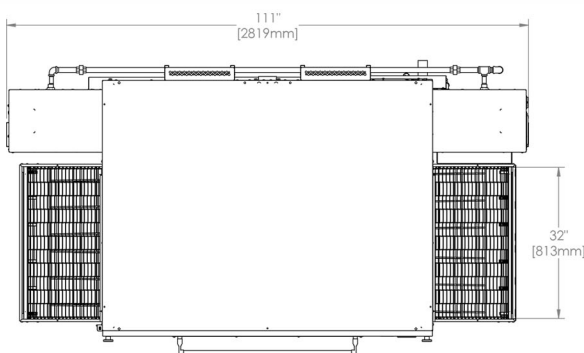
SIZE

**32" WIDE CONVEYOR
70" LONG BAKE CHAMBER**

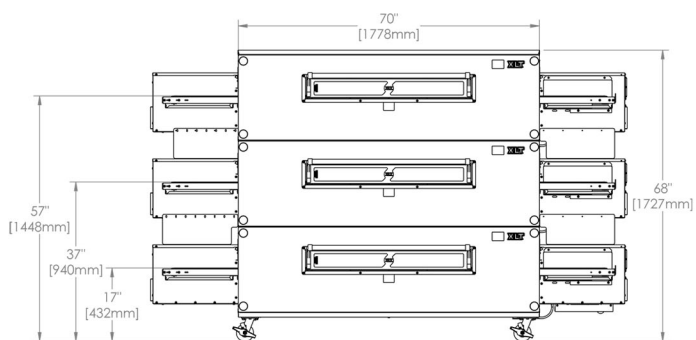
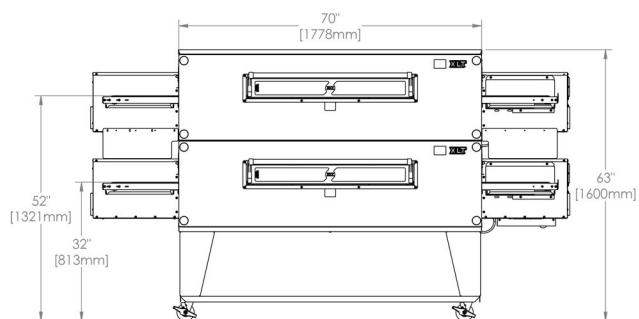
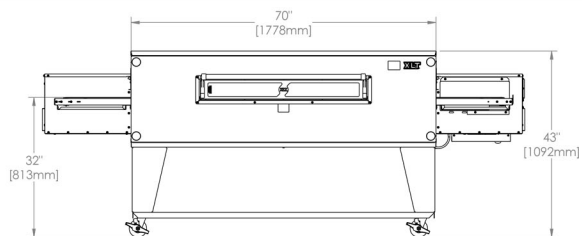
TYPE

GAS

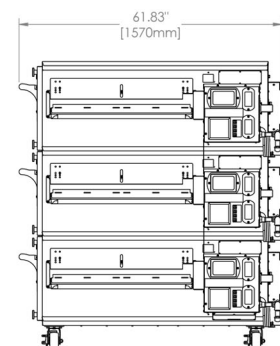
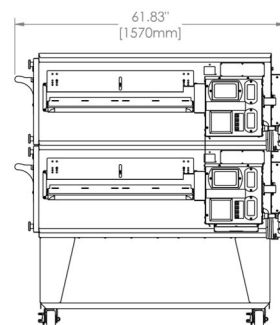
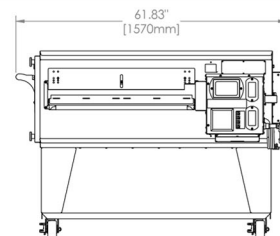
TOP VIEW



FRONT VIEWS



SIDE VIEWS



DATA SHEET 3270H-2B GAS OVEN

Heating Value						
Standard	World					
	Natural		Propane		Butane	
209,000 BTU/Hr	61.25 Kw/Hr		61.25 Kw/Hr		65.94 Kw/Hr	
	220.51 Mj/Hr		220.51 Mj/Hr			

Electrical Requirement	
Standard	World
120 VAC, 8.5 Amps, 50/60 Hz	220/230/240 VAC Option, 7 Amps, 50/60 Hz

Inlet Pressure Range				
	W/C	mbar	kPa	kPa (Korea)
Natural Gas	6-14	15-35	1.50 - 3.50	1.50 - 2.50
Propane Gas	11 - 14	27.5 - 35	2.75 - 3.50	2.30 - 3.30

Manifold Pressure Range			
	W/C	mbar	kPa
Natural Gas	3.5	8.75	0.875
Propane Gas	10	25	2.50

Oven Weight	Single (1 crate)		Double (2 crates)		Triple (3 crates)	
	lbs	kg	lbs	kg	lbs	kg
Oven Only	1273	577	2329	1056	3559	1614

OVEN & HOOD WARRANTY

USA & Canada (Parts & Labor)	International (Parts & Labor)
10 Years Oven & Hood Combo Purchase*	7 Years Oven & Hood Combo Purchase
7 Years Standard	5 Years Standard

*Pre-piped ANSUL system must be purchased on each oven and hood

