

IMAGE



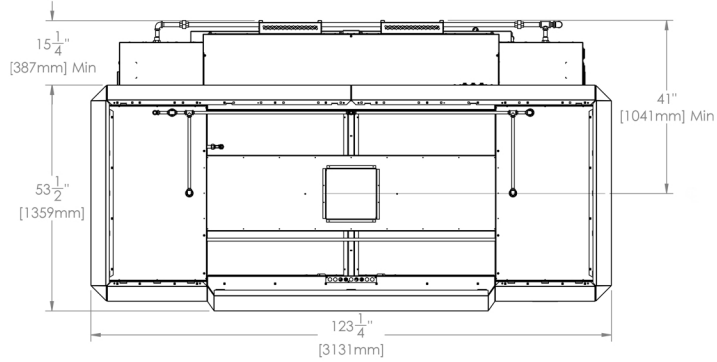
XLT
SmartSolutions™

MODEL

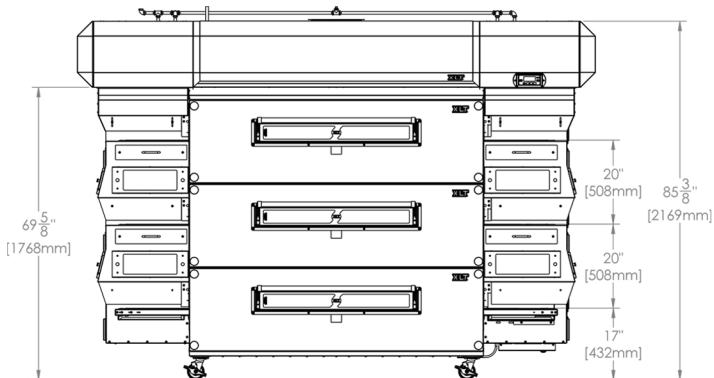
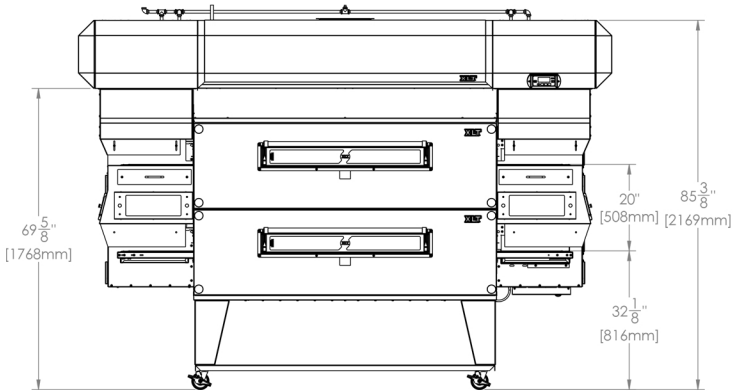
3870H

F-Version Hood

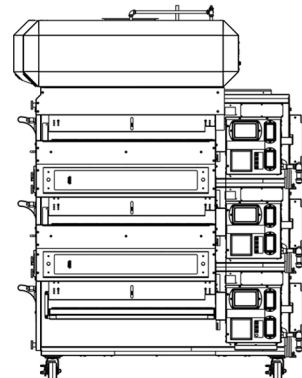
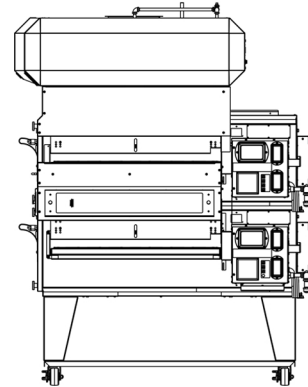
TOP VIEW



FRONT VIEWS



SIDE VIEWS



3870H

MODEL

F-Version



DATA SHEET

F-VERSION HOOD FOR XLT 3870 OVEN

ELECTRIC UTILITY SPECIFICATIONS

Inputs Into Electrical

	Standard	World
VAC	208/240 VAC	230 VAC
Amps	3 Amps	3 Amps
Hz	60 Hz	50 Hz
Phase	1 Phase	1 Phase

*Do not connect to 3 phase power. 1 phase only.

Output From Electrical

The XLT Hood System Provides:

Up to three (3) switching outputs for HVAC damper and/or dedicated unit.*

One (1) 230 VAC, 4.3 Amp, variable frequency, three (3) phase power output for the ventilation exhaust fan.
(Maximum output: 10 Amp)*

Relocation cord will physically connect into oven.

One (1) 24 VDC fire alarm signal.* | Up to three (3) receptacles for ovens.

*VFD only.

HOOD AND SHROUDS WEIGHT

Hood and/or Shrouds Only	Hood Only		Hood & Shrouds			
	lbs	kg	Double		Triple	
			lbs	kg	lbs	kg
	453	205	703	319	775	352

EXHAUST FLOW RATES

	Double Stack	Triple Stack
CFM (All Ovens On)	800	1140
M3/Min (All Ovens On)	22.65	32.28
Efficiency Comparison	17.18% More Efficient Than E-Version	22.08% More Efficient Than E-Version

*Figures represent TOTAL VOLUME measured at the duct (Minimum recommended). Refer to XLT Ovens I&O Manual for full complete information.

EXHAUST FAN AND CURB

Specs

Dimensions	inches	mm	inches	mm	inches	mm
		31	787	31	787	67
Crated Weight (Stacked)	lbs	kg				
	185	84				

OVEN & HOOD WARRANTY

USA & Canada (Parts & Labor)	International (Parts & Labor)
10 Years Oven & Hood Combo Purchase*	7 Years Oven & Hood Combo Purchase
7 Years Standard	5 Years Standard

*Pre-piped fire suppression system must be purchased on each oven and hood.

