

IMAGE



XLT
SmartSolutions™

MODEL

4455

H-version

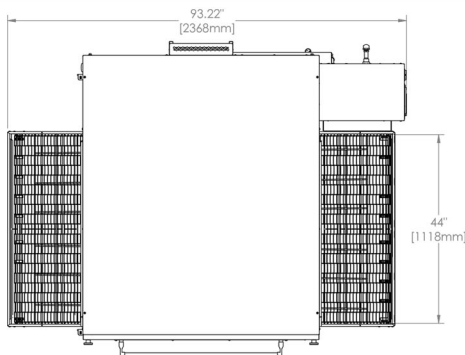
SIZE

**44" WIDE CONVEYOR
55" LONG BAKE CHAMBER**

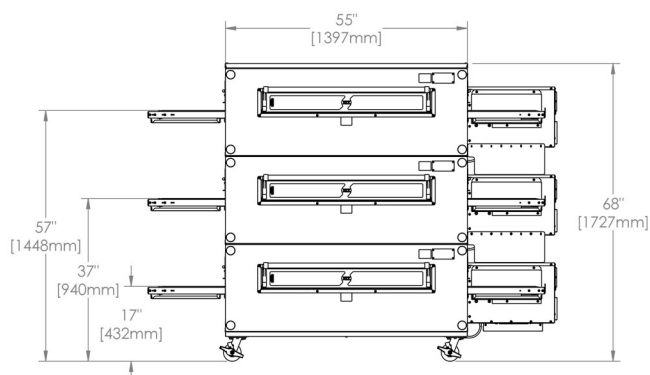
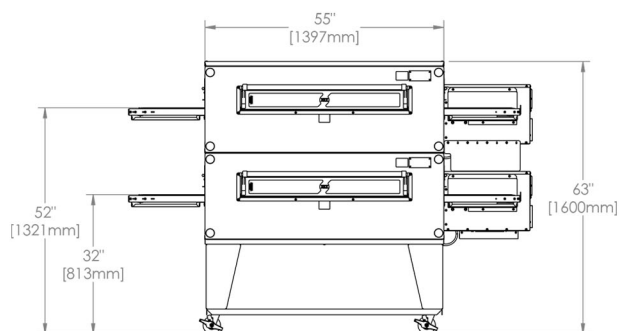
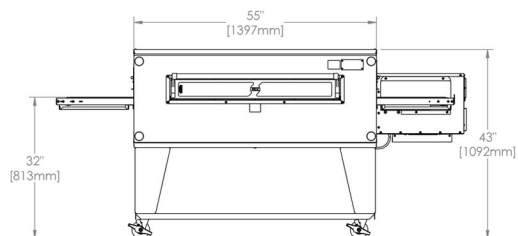
TYPE

GAS & ELECTRIC

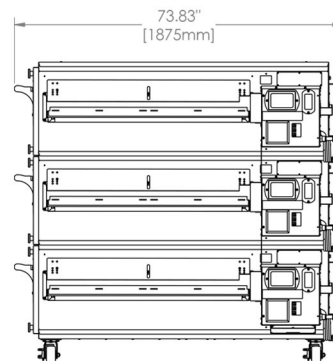
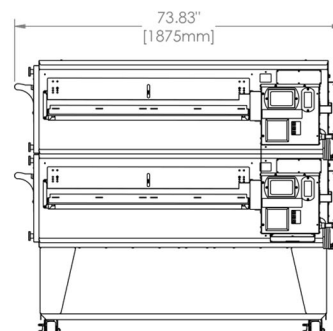
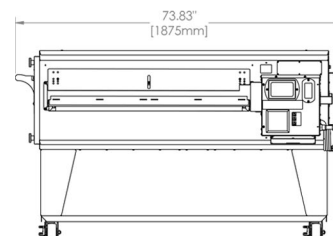
TOP VIEW



FRONT VIEWS



SIDE VIEWS



4455

MODEL

H-version



DATA SHEET 4455H GAS OVEN

<i>Heating Value</i>						
Standard	World					
	Natural		Propane		Butane	
170,000 BTU/Hr	49.80 Kw/Hr		49.80 Kw/Hr		52.00 Kw/Hr	
	179.36 Mj/Hr		179.36 Mj/Hr			
<i>Electrical Requirement</i>						
Standard			World			
120 VAC, 4.8 Amps, 50/60 Hz			220/230/240 VAC Option, 3 Amps, 50/60 Hz			
<i>Inlet Pressure Range</i>						
	W/C	mbar	kPa		kPa (Korea)	
Natural Gas	6-14	15-35	1.50 - 3.50		1.50 - 2.50	
Propane Gas	11 - 14	27.5 - 35	2.75 - 3.50		2.30 - 3.30	
<i>Manifold Pressure Range</i>						
	W/C		mbar		kPa	
Natural Gas	3.5		8.75		0.875	
Propane Gas	10		25		2.50	
<i>Oven Weight</i>						
Oven Only	<i>Single (1 crate)</i>		<i>Double (2 crates)</i>		<i>Triple (3 crates)</i>	
	lbs	kg	lbs	kg	lbs	kg
	1131	513	2047	929	3146	1427

4455H ELECTRIC OVEN

<i>Electrical Requirement</i>						
	Standard	World				
VAC	208/240 VAC	380/415 VAC				
Amps	90/80 Amps	55/48 Amps				
Hz	60 Hz	50 Hz				
Wire Service	4 Wire Service - L1, L2, L3 +1 Ground (per oven)	5 Wire Service - L1, L2, L3 N+2 Grounds (per oven)				
Phase	3 Phase	3 Phase				
Kw	32 Kw	32/34 Kw				
<i>Oven Weight</i>						
Oven Only	<i>Single (1 crate)</i>		<i>Double (2 crates)</i>		<i>Triple (3 crates)</i>	
	lbs	kg	lbs	kg	lbs	kg
	1288	584	2362	1071	3393	1539

OVEN WARRANTY

<i>USA & Canada (Parts & Labor)</i>	<i>International (Parts & Labor)</i>
7 Years Standard	5 Years Standard



(316) 943-2751
SALES@XLTOVENS.COM
SERVICE@XLTOVENS.COM

WWW.XLTOVENS.COM
24/7/365 LIVE TECHNICAL SUPPORT

